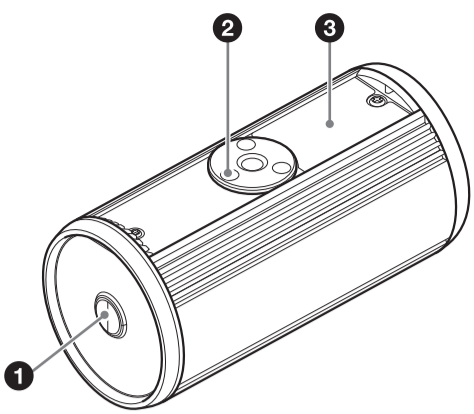
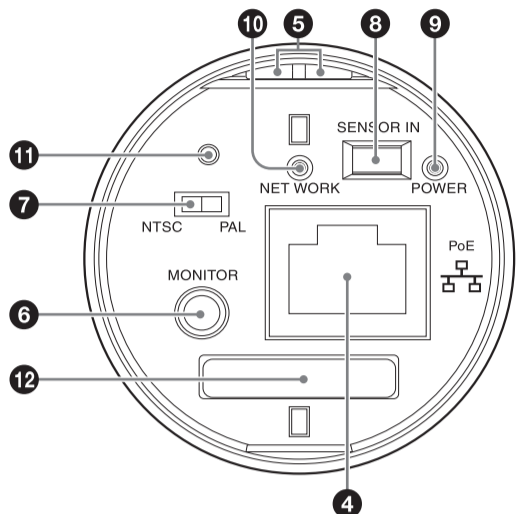




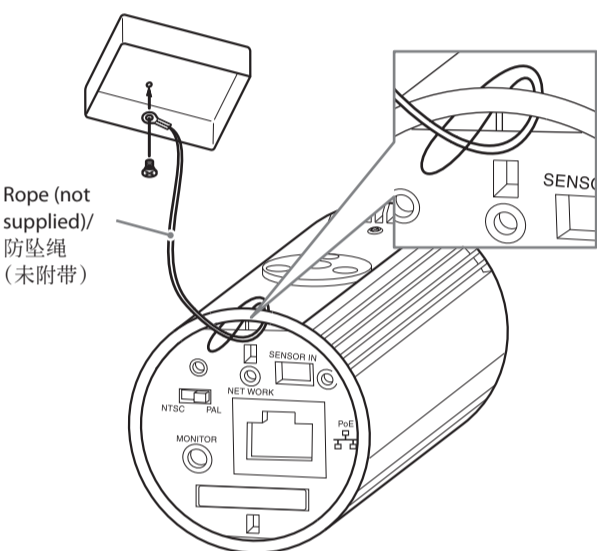
# A



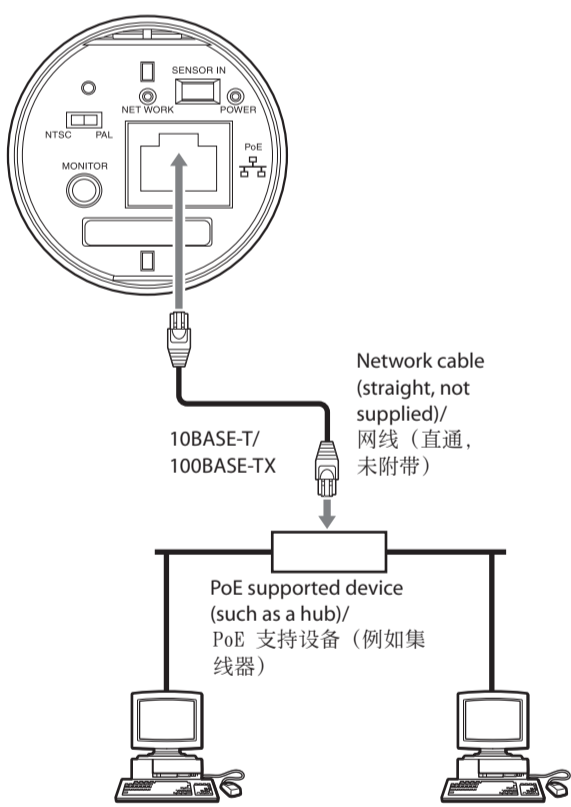
# B



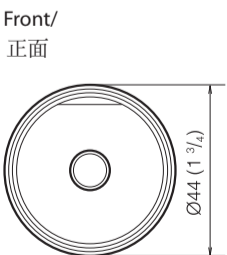
# C



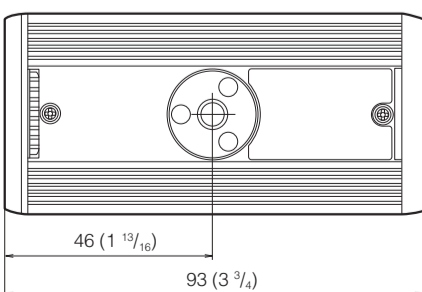
# D



# E



# Top/顶部



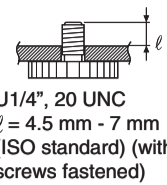
Unit: mm (inches)/  
单位: mm (英寸)

## English

### Location and Function of Part

#### Front - Top A

- Lens**  
A fixed-focus lens is mounted.
- Tripod screw hole**  
Use this screw hole when attaching the camera to a tripod (screw: 1/4", 20 UNC). You can attach a tripod to either the top or bottom of the camera.



#### Caution

Use the mounting screw whose length is 4.5 mm (3/16 inch) - 7 mm (7/32 inch) only. Use of other screws may cause improper mounting and damage parts inside the camera.

- Model name label**  
This label shows device information, such as the model name and serial number.

#### Rear B

- LAN connector (PoE) [RJ-45]**  
Use network cable STP, category-5 (SNC-CH110) or network cable UTP, category-5 (SNC-CH210) for network communications and PoE\* power supply.  
◆ See "connect to network" for connection.  
(\* PoE: The acronym for Power over Ethernet. IEEE 802.3af standard compliant devices.)

- Fall-prevention rope mounting hole**  
When installing the camera on a ceiling or a wall. Be sure to secure a fall-prevention rope (not supplied) to this hole for safety.

- MONITOR out connector [AV minijack]**  
Output the composite video signal from the camera. Monitor out is used when you adjust the view angle.  
◆ Before use, see the procedure from "Using the monitor out".

#### Note

Before use, it is necessary to connect to the PC and change the system setting.

- NTSC/PAL switch**  
Switching the video output.

- Sensor input**

Sensor input cable color	Signal
Red	Sensor input+
White	Sensor input- (GND)

- ◆ For details on function and required settings, refer to the User's Guide stored in the supplied CD-ROM.
- ◆ For the wiring, see "Wiring diagram for sensor input".

- POWER indicator (Green)**  
When the power is supplied to the camera, the camera starts checking the system. If the system is normal, this indicator lights up.

- NETWORK indicator (Green/Orange)**  
The indicator lights up or flashes when the camera is connected to the network. The indicator is off when the camera is not connected to the network. When 100BASE-TX is connected, the indicator turns green. When 10BASE-T is connected, the indicator turns orange.

- Reset switch**  
To reset the camera to the factory default settings, turn on the power to the camera while holding down this switch with a pointed object.

- MAC Address label**  
Indicates the MAC address of this camera.

### Installation

#### Caution

When installing the camera on a ceiling or a high location, be sure to secure a fall-prevention rope (not supplied) to the camera for safety.

#### Attaching the fall-prevention rope C

When you install the camera on a ceiling or a high location, be sure to attach a fall-prevention rope (not supplied) to prevent the camera from falling. Thread the fall-prevention rope through the hole on the rear of the camera, and then fix it to the junction box on the ceiling or wall with a screw (not supplied), as in the illustration. For details about the fall-prevention rope, please consult the store of purchase or an authorized Sony dealer.

#### Note

Take care to avoid any short-circuits with the rope when you attach it.

### Connection

#### Connect to the Network D

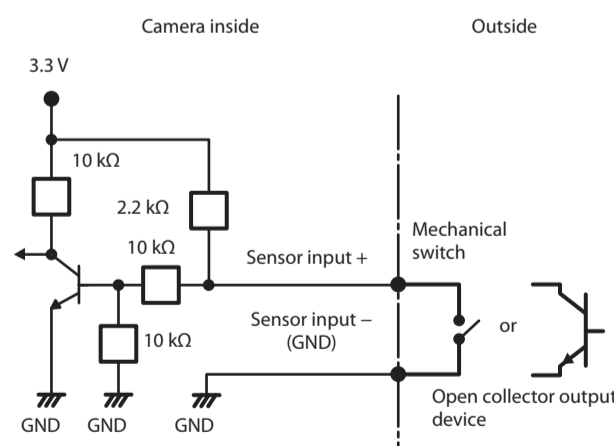
Connect the LAN connector of the camera to a PoE\* supported device (such as a hub) using the network cable (straight, not supplied). The electrical power is supplied through the network cable. For details, refer to the instruction manuals of the PoE supported devices.

#### Note

Be sure to use shielded LAN cables for the SNC-CH110.  
(\* PoE: The acronym for Power over Ethernet. IEEE 802.3af standard compliant devices.)

#### Wiring diagram for sensor input

##### Mechanical switch/open collector output device



#### Using the monitor out

##### Setting the view angle of the monitor out

- Make sure the POWER indicator lights up.**
- Select the installation tab in system setting menu, then set monitor out to On.**
- Connect the AV cable to the monitor out [AV minijack].**
- Adjust the view angle.**
- Select the installation tab in system setting menu, then set monitor out to Off.**
- Disconnect the AV cable.**  
◆ The system setting is changed from PC.  
For details on required settings, see the User's Guide stored in the supplied CD-ROM.

#### Notes

- ◆ Connect the AV cable when the POWER indicator lights up.
- ◆ Be aware that the system performance may be influenced, if the monitor out is set to On. Be sure to set it to Off and disconnect the AV cable.

## Using the front sheet

If you want to turn the front logo upside down (for correct orientation after installation), use the supplied front sheet (with logo).  
If you want to hide front logo, use the supplied front sheet (without logo).  
If you want to make a change after using the initial front sheet, the second front sheet can be used over the first one.

### Specifications

Compression	JPEG/MPEG4/H.264
Video compression format	JPEG/MPEG4/H.264: 30 fps (1280 × 720)
Maximum frame rate	
<b>Camera</b>	
Image device	SNC-CH110 1/3.8 type CMOS Effective picture elements: Approx. 1,280,000
	SNC-CH210 1/2.8 type CMOS (Exmor) Effective picture elements: Approx. 3,270,000
Minimum illumination	SNC-CH110 0.09 lx (15IRE, F2.8, slow shutter) SNC-CH210 0.05 lx (15IRE, F2.8, slow shutter)

Lens	
Focal length	SNC-CH110: 2.34 mm SNC-CH210: 3.3 mm
Maximum relative aperture	F2.8
View angle	SNC-CH110 Horizontal: 80.7°/Vertical: 63.3° (4:3 mode) SNC-CH210 Horizontal: 88°/Vertical: 65° (4:3 mode)
Minimum object distance	0.5 m
<b>Interface</b>	
LAN (PoE)	10BASE-T/100BASE-TX, auto negotiation RJ-45
Sensor input	1 port: make contact and break contact switchable
Monitor out	NTSC/PAL 1.0 Vp-p, 75 ohms, unbalanced, sync negative AV minijack* * Use AV cable with mini-plug at AV4 terminal.

Others	
Power	IEEE802.3af compliant (PoE system) Class 1
Power consumption	2.4 W
Operating temperature	0°C~50°C (32°F to 122°F)
Storage temperature	-20°C to +60°C (-4°F to +140°F)
Operating humidity	20% to 80% (Non-condensing)
Storage humidity	20% to 95%
Dimensions (diameter × length)	44 mm × 93 mm (1 3/4 inches × 3 3/4 inches)
Mass	Approx. 100 g (3.5 oz)
Supplied accessories	CD-ROM (User's Guides, and supplied programs) (1) Sensor input cable (1) Front sheet (with logo) (1) Front sheet (without logo) (1) Installation Manual (this document) (1)

Design and specifications are subject to change without notice.

#### Recommendation of Periodic Inspections

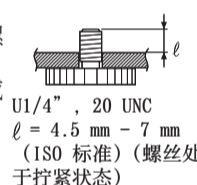
In case using this device over an extended period of time, please have it inspected periodically for safe use.  
It may appear flawless, but the components may have deteriorated over time, which may cause a malfunction or accident.  
For details, please consult the store of purchase or an authorized Sony dealer.

## 中文

### 各部件位置和功能

#### 正面·顶部 A

- 镜头**  
安装定焦镜头。
- 三脚架螺丝孔**  
将摄像机安装到三脚架上时使用此螺丝孔 (螺丝: 1/4", 20 UNC)。您可以将三脚架安装在摄像机的顶部或底部。



#### 注意

只能使用长度为 4.5 mm - 7 mm 的安装螺丝。使用其它螺丝可能会造成不当安装, 并可能损坏摄像机内部零件。

- 型号标签**  
此标签表示设备信息, 例如型号和序列号。

#### 背面 B

- LAN 接口 (PoE) [RJ-45]**  
使用 5 类 STP 网线 (SNC-CH110) 或 5 类 UTP 网线 (SNC-CH210) 进行网络通讯和 PoE\* 供电。  
◆ 关于连接, 请参见 "连接至网络"。  
(\* PoE: Power over Ethernet 的缩写。符合 IEEE 802.3af 标准的设备。)
- 防坠绳安装孔**  
将摄像机安装在天花板或墙上时。出于安全, 必须将防坠绳 (未附带) 固定在此孔中。
- MONITOR 输出接口 [AV 迷你插孔]**  
输出来自摄像机的复合视频信号。  
显示器输出用于调节视角时。  
◆ 使用前, 请阅读 "使用显示器输出" 中的步骤。
- 注意**  
使用前, 需要连接 PC 和改变系统设置。
- NTSC/PAL 开关**  
切换视频输出。
- 传感器输入**

传感器输入电缆颜色	信号
红色	传感器输入 +
白色	传感器输入 - (GND)

- ◆ 有关功能和所需设定的详情, 请参见附带 CD-ROM 中存储的用户指南。
  - ◆ 关于布线, 请参见 "传感器输入布线图"。
- POWER 指示灯 (绿色)**  
当摄像机通电时, 摄像机便开始检查系统。如果系统正常, 则该指示灯亮起。
  - NETWORK 指示灯 (绿色/橙色)**  
摄像机连接至网络时, 指示灯点亮或闪烁。摄像机未连接至网络时, 指示灯熄灭。连接了 100BASE-TX 时, 指示灯变为绿色。连接了 10BASE-T 时, 指示灯变为橙色。
  - 复位开关**  
若要恢复摄像机复位至出厂默认设定, 请用尖头物体顶住此开关打开摄像机电源。
  - MAC 地址标签**  
表示本摄像机的 MAC 地址。

### 安装

#### 注意

将摄像机安装到天花板或较高的位置时, 出于安全, 必须将防坠绳 (未附带) 固定在摄像机上。

## 安装防坠绳 C

将摄像机安装在天花板或较高位置时, 必须安装防坠绳 (未附带), 以防止摄像机掉落。如图所示, 将防坠绳穿过摄像机背面的孔, 然后用螺丝 (未附带) 固定于天花板或墙上的接线盒。

#### 注意

连接时请小心, 以免与钢绳发生短路。

### 连接

#### 连接到网络 D

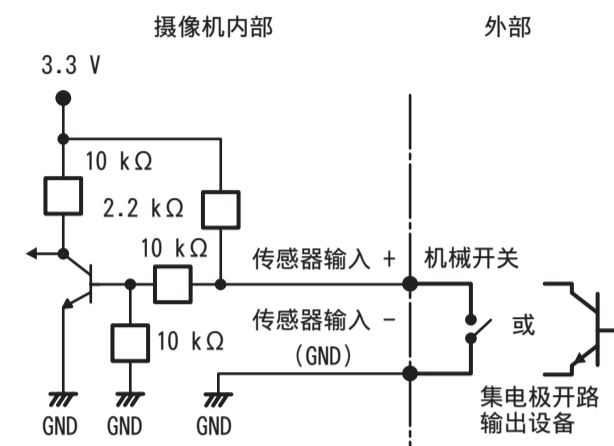
使用网线 (直通, 未附带) 将摄像机的 LAN 接口连接至 PoE\* 支持设备 (例如集线器)。电源由网线提供。有关详情, 请参见 PoE 支持设备的使用说明书。

#### 注意

务必对 SNC-CH110 使用屏蔽型局域网电缆。  
(\* PoE: Power over Ethernet 的缩写。符合 IEEE 802.3af 标准的设备。)

#### 传感器输入布线图

#### 机械开关/集电极开路输出设备



#### 使用显示器输出

##### 设置显示器输出的视角

- 确保 POWER 指示灯亮起。**
- 在系统设置菜单中选择安装选项卡, 然后将显示器输出设置为开。**
- 将 AV 电缆连接到显示器输出 [AV 迷你插孔]。**
- 调节视角。**
- 在系统设置菜单中选择安装选项卡, 然后将显示器输出设置为关。**
- 断开 AV 电缆的连接。**  
◆ 从 PC 改变系统设置。  
有关所需设置的详情, 请参阅附带 CD-ROM 中保存的用户指南。

#### 注意

- ◆ 当 POWER 指示灯亮起时, 连接 AV 电缆。
- ◆ 请注意, 如果显示器输出设置为开, 系统性能可能会受到影响。务必将其设置为关并断开 AV 电缆连接。

### 使用正面贴片

如果您要将正面标识颠倒 (为了使安装后方向正确), 请使用附带的正面贴片 (带标识)。如果您要隐藏正面标识, 请使用附带的正面贴片 (不带标识)。如果想在使用最初的正面贴片后进行改变, 可以将第二张正面贴片覆盖在第一张上面使用。

### 规格

压缩	JPEG/MPEG4/H.264
视频压缩格式	JPEG/MPEG4/H.264: 30 fps (1280 × 720)
最大帧频	
<b>摄像机</b>	
成像元件	SNC-CH110 1/3.8 型 CMOS 有效像素: 1280000
	SNC-CH210 1/2.8 型 CMOS (Exmor) 有效像素: 约 3270000
最低照度	SNC-CH110 0.09 lx (15IRE, F2.8, 慢速快门) SNC-CH210 0.05 lx (15IRE, F2.8, 慢速快门)
<b>镜头</b>	
焦距	SNC-CH110: 2.34 mm SNC-CH210: 3.3 mm
最大相对光圈	F2.8
视角	SNC-CH110 水平: 80.7° / 垂直: 63.3° (4:3 模式) SNC-CH210 水平: 88° / 垂直: 65° (4:3 模式)
最短物体距离	0.5 m
<b>接口</b>	
LAN (PoE)	10BASE-T/100BASE-TX, 自动协商 RJ-45
传感器输入	1 端口: 闭合触点 and 断开触点可切换
显示器输出	NTSC/PAL 1.0 Vp-p, 75 欧姆, 非平衡, 负同步 AV 迷你插孔* * 在 AV4 端子使用带迷你插头的 AV 电缆。
<b>其他</b>	
电源	IEEE802.3af 兼容 (PoE 系统) 1 级
功率消耗	2.4 W
操作温度	0°C~50°C
存放温度	-20°C 至 +60°C
操作湿度	20% 至 80% (非凝结)
存放湿度	20% 至 95%
尺寸 (直径 × 长度)	44 mm × 93 mm
质量	约 100 克
随机附件	CD-ROM (用户指南和附带程序) (1) 传感器输入电缆 (1) 正面贴片 (带标识) (1) 正面贴片 (不带标识) (1) 使用手册 (本文档) (1)

设计和规格若有变更, 恕不另行通知。

#### 定期检查建议

长时间使用本设备时, 请定期检查本设备以便安全使用。虽然设备似乎没有问题, 但是长时间使用时其组件质量可能已经下降, 从而可能引起故障或事故。有关详细说明, 请咨询购买商店或授权的 Sony 经销商。